

WISCONSIN
EARLY



PRESERVATION

RESTORATION

ENJOYMENT



MUSTANGERS

" A Few to Preserve the Best "

From the Prez.

April 28, 1996

The Odds were against it. Nobody ever thought it might happen. I personally did not think it would happen in my lifetime. What you may ask happened. Well I'll tell you. We finally had nice weather for the Spring Jefferson. I can't remember the last time it was actually dry and sunny for the Swap Meet. It just didn't seem right. You know, no snow, or rain, or any nasty weather. Oh well, it probably will never happen again in my lifetime. I will just count my blessings that it happened once.

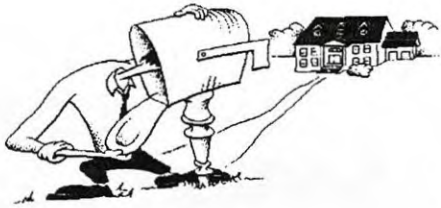
On to other things. Tammy and I attended the 4th Annual Loyal Ford Show on the 21st of April. It felt great to get the car out and see everyone. Other than being a little on the cool side, the weather was beautiful. There were well over 170 cars in attendance. Quite a number of W.E.M. and Midwest Ford Club members made it up to the show. I know that everyone had a good time and everyone was glad that the show season was finally upon us.

Speaking of shows. Ours is only three weeks away as I write this. Everything looks good. We are shooting for 250 cars this year. With good weather and good help, I know we can do it. As in years past, if you have a few moments on the day of the show, please stop by the club table or see me and we'll find something for you to help out with. As always we appreciate everyone's help !

I am putting the final details together on the Detroit Trip. Unfortunately we have received word from Ford that a tour of the Mustang Plant is not possible. That will not however put a damper on our trip. I have put together a packet of information for anyone who wants to go. So if you are thinking about going, give me a call at 414-567-2622 and I will send the information out to you. It should be a great time for one and all.

Well that's all for now. I hope to see all of you at either the Brunch Run on the 5th or at the car show on the 19th. Until next time . . . Keep on Stangin !

Scott



FROM YOUR EDITOR

NEW NEWSLETTER COVER SHEET

This month we are sporting a new cover sheet for our Feedbag. Please take some time and review the advertisements. These advertisers pay to have their services announced in our newsletter. This helps offset the cost of our printing, which in turn allows us to keep the annual dues to the same low price they were 15 years ago. We ask that you consider patronizing these advertisers if they have a service you may need.

IT'S HERE ONCE AGAIN

Yes, our annual show and swap has once again arrived. This is our biggest event of the season. It takes many hours of planning and preparation to pull off a successful show. Link that to, hopefully, a beautiful day and we are guaranteed another successful event. To insure the best possible results we need you, our members, to take an active part. If you have not volunteered to help out the day of the show it is not too late. Check in with any committee chairman the day of the show and I am sure your talents will be put to use. There is also a demand for people to help set up on the 18th at 1:00 at Venus Ford. So please join in the festivities by adding some of your time and muscle to this project.

CONGRATULATIONS TO BADGERLAND MUSTANG

The W.E.M would like to offer congratulations our sister club, the Badgerland Mustang, for their receipt of the Golden Quill Award. This award is issued by Old Cars Weekly for outstanding publications such as the Badgerlands newsletter, The Dashboard. Crucial to the selection of this award was neatness, layout, good use of visuals, news about members, events and tech tips. I personally am on the mailing list and am very impressed with the clubs publication. I can personally attest to the amount of time and effort it takes to put out a club publication and see much professionalism in their periodical.

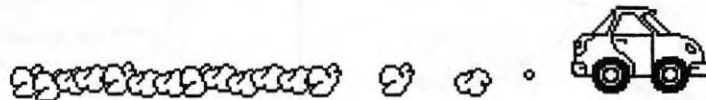
THE ICE BREAKER IS HISTORY FOR ANOTHER YEAR

Our Annual Ice Breaker Brunch Run has provided our club it's season kickoff for years. This year the term Icebreaker was very appropriate as the weather was almost cold enough to provide the Ice. All in all it was an excellent start to the '96 season. I counted 25 cars from the W.E.M. We met with the Badgerland folks at the Country Club. I am not sure how many vehicles they provided, but the parking lot was chuck full of ponies. Hats off to the Kabitzkes and the Luebke's for organizing and pulling off one of the best Ice Breakers in Years.

Until Next Month
Fraternally Yours,
Bob Zimmermann

MINUTES FROM MEETING HELD APRIL 29TH

- The meeting was called to order at 7:30 by president Moen.
- The treasurers report was given by Dick Doria.
- The trip to Dearborn is still a go. Contact Scott if you plan to go as we would like a firm count. Scott learned that the tour of the Mustang plant was turned down. Plans are still alive for a tour of the Ford Museum and Greenfield Village.
- 22 cars have already signed to go on the Brunch Run set for May 5th. Location is the Wildwood Country club in Watertown. A trip to Bob Perkins auto museum is planned after the brunch. A meeting place will be the park and ride located on hwy 16 & 83 at 10:00AM.
- A few of our members attend the Loyal Ford show held in New Holstein. The show was blessed with very pleasant weather. About 180 cars were registered. Wayne Kabitzke, Scott Moen and Jeff Niper all took home trophies. Another hit for Loyal Ford.
- Our members were reminded of the set up for our annual show. We will meet at Venus Ford at 1:00PM on Saturday 5/18. We need all the help we can get for the set up as well as assisting in the show. Show up ready to work. It was decided that the door prizes for the show would be awarded by drawing the registration number.
- Many shows are coming down the line. Please keep checking the Calendar of events, published in each newsletter, to keep abreast of show schedules.
- The day trip to Stouffer's auto museum is set for August 11th. There will be an eating stop at the RPM 50's restaurant on the return trip. A flier was published in last months newsletter please be prompt in sending it in.
- The meeting was adjourned at 8:05.



Shop tips

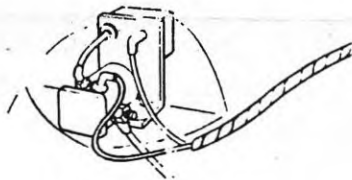
Reprinted from technical and service bulletins published by Ford Motor Company, Autolite division.

NEW STARTER SYSTEM "DELAYED RE-ENGAGEMENT" CONTROL RELAY

(All 1968 1/2 428 CID Engine Equipped Units)

All 1968 units equipped with a 428 CID engine and built after approximately April 15, 1968 have a special solid-state relay in the starter control circuit to prevent starter re-engagement for a 4 second period. This relay does not affect the circuit during the initial starting attempt, however, if the engine immediately stalls this relay prevents starter re-engagement for an approximate 4 second period. The starter drive and ring gear completely stop during this delay period to avoid gear tooth re-engagement of these components while in motion.

This re-engagement control relay is mounted under the basic starter relay on the fender inner panel of subject units and is in series with the starter relay ground circuit as shown in the electrical diagram. The relay uses solid-state components internally and cannot be repaired or adjusted.



CONTROL CONNECTED

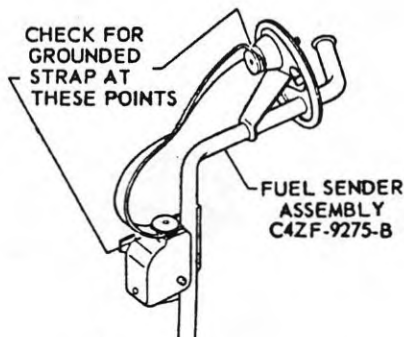
FUEL GAUGE READS FULL

(All 1965 Mustangs)

The connecting strap of the fuel sender is inadvertently grounded at the rheostat housing on some 1965 Mustangs. The strap, when grounded, results in the fuel gauge reading full at all times.

This problem was corrected February 1, 1965, by revising the connecting straps.

Complaints of fuel gauge reading full at all times can be satisfied by removing the fuel sender assembly and bending the strap to clear the housing.



PAINT PEELING OR FLAKING

(All 1965 Mustangs)

Some 1965 Mustang vehicles have exhibited poor paint adhesion, primarily on October and November built units. Several colors were found to contribute to this condition, but the greatest number of failures occurred with the "Ivy Green" paint.

Several paint process changes were made at the assembly plant to more effectively control the problem on units built after November.

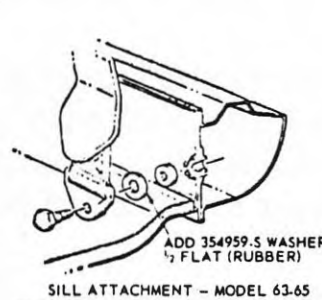
SEAT BELT HARDWARE RATTLES

(All 1965 Mustang)

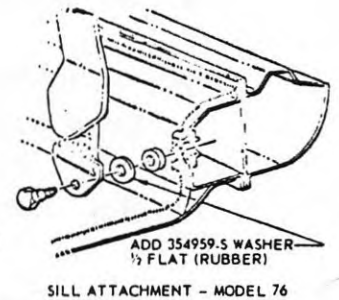
Rattles may occur in the area of the outboard seat belt attachment to the floor side sill due to excessive looseness between the plate and the bolt shoulder.

This was corrected in production, effective January 18, 1965, with the addition of a flat rubber washer (1/2 inch I.D. - 9/64 thick) between the seat belt plate and the existing steel washer.

The rattles can be corrected on a complaint basis by installing a rubber washer as shown.



SILL ATTACHMENT - MODEL 63-65



SILL ATTACHMENT - MODEL 76

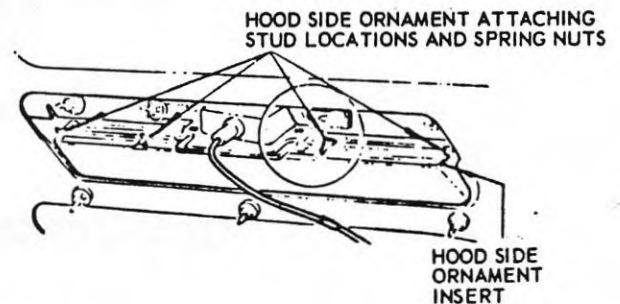
HOOD SIDE ORNAMENT INSERT RATTLES

(1967-1968 Mustang - All Models Equipped With Louvered Hood)

Customer complaints of rattles when the hood is slammed can occur due to inadequate retention of the insert in the hood side ornament (hood louver). This condition can occur on units built prior to November 1967, and was corrected in production by adding a rubber "O" ring between the insert and the ornament. However, this corrective action is not recommended for field repairs because attempts to remove the spring nuts usually result in breakage of the studs.

Complaint units can be corrected by using the following procedure:

- Procure an air dry adhesive.
- Apply a small amount of this adhesive to each stud location to assure adequate retention of the insert as shown.



CLASSIFIED

FOR SALE: Ford, Lincoln, Mercury parts NOS still in box. If part have part numbers it would help. CALL Bryan (After 7:30) 414-251-4363 or Lisa 414-255-1049

FOR SALE: Parting out a '79 F150 Ford truck and a '80 Mustang hatchback 4 cylinder. If you need parts. CALL FRITZ 414-268-0147.

FOR SALE: 1966 Mustang GT Coupe (Frame Up Concourse Restored). Winner of many show trophies. Raven black, red pony interior, rally pak, rally wheels, automatic, 289 A code, red stripe tires, air, every option available in '66. 200 Miles since restoration. Have all papers. CALL BRYAN 414-423-0751.

FOR SALE: 1984 Mustang GT 20th Anniversary edition. TRX wheels, T-tops, motorsport lowering springs and swaybars, koni/formula gp's, new brakes, fuel pump, and radiator. Repainted in 1988 from molding down and new Shelby stripes applied. Store winters since 1988. Asking \$4500. CALL RON 815-947-2801

FOR SALE: 1977 Ford wagon whole or for parts. Bad transmission. 460 engine 4 wheel disc brakes, anti-slip differential, air, all power assists, tilt wheel and cruise control. AM/FM 8 track. 235 75R15 tires. Asking \$500. CALL 375-1727

FOR SALE: 1989 Lincoln Mark VII LSC. Excellent condition. Florida car. Bright Current Red clearcoat metallic. Red leather bucket seats, New tires, battery and more. Asking \$9750/OBO. Assorted parts for '69 & '73 Mustangs. Alpine Stair climber \$50. Full size Quasar Microwave convection oven \$235/OBO. 3CT emerald Aquamarhe solitaire ring with two .01 diamonds \$100/OBO CALL TOM 414-672-4340

FOR SALE: 1987 Mustang GT. Performance modifications. Good condition. 124,000 miles. Asking \$6000/OBO. CALL ED 414-365-2802 (HOME) OR 414-332-1160 WORK

FOR SALE: Mustang Monthly magazines January '87-January '93. 70 issues \$70. Muscle Mustang and Fast Fords magazines 42 issues \$42 CALL SCOTT 414-567-2622

WANTED 1964-1966 Mustang restored convertible with V-8 automatic. Will consider a coupe as well. CALL KEN BAKER 414-728-3586

WANTED: Pace car collectibles for '64, '79, and '94 Mustangs. Call Fritz 414-268-0147

WANTED: 1984 Mustang GT front seats (both). Would prefer red upholstery condition not important. CALL SCOTT 414-567-2622

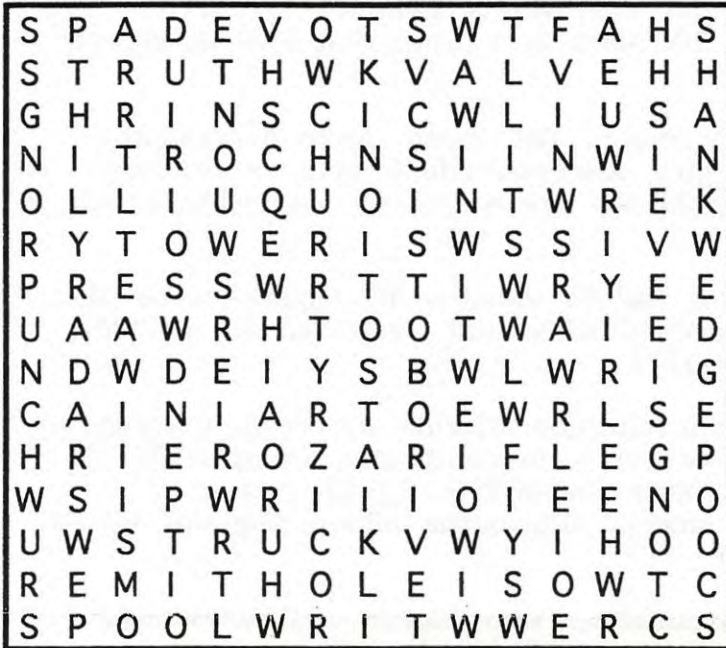
SEND YOUR AD TO:

BOB ZIMMERMANN
2307 W. CARRINGTON AVE.
OAK CREEK, WI 53154



TAKE A BREAK

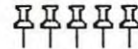
TOOLS COME IN HANDY



- | | | |
|-------|-------|-------|
| PRESS | SCOOP | TIMER |
| PRONG | SCREW | TONGS |
| PUNCH | SHAFT | TOOTH |
| PYLON | SHANK | TORCH |
| RADAR | SHUNT | TOWER |
| RADIO | SIEVE | TRAIN |
| RAZOR | SPADE | TRUCK |
| RELAY | SPOOL | VALVE |
| RIFLE | STILL | WEDGE |
| RIVET | STOVE | WHEEL |
| ROBOT | STRUT | WINCH |
| ROTOR | THOLE | |

SIGNS OF THE TIMES

- At a golf course: "Golf is a beautiful walk spoiled by a small white ball".
- On an executives desk: "Don't bother to agree with me I already changed my mind".
- At a gas station on Mothers Day: "Free roses for mothers with gas".
- In a weight reduction clinic: "Join the fight against hazardous waists".
- At an auto body shop: "Wreck-Amended".
- In the window of a Venetian blind shop: "If it wasn't for us it would be curtains for you".



CARTOON QUIPS

- Lindbergh was the first man to fly the Atlantic alone and the last to arrive the same time as his luggage.
- Lightning is said to never strike the same place twice. Unless, of course, you let your insurance lapse.
- Time may be a great healer, but a terrible make-up artist.
- Always remember that we pass this way but once. Unless your spouse is reading the road map.
- Give mom an inch and everyone goes on a diet.
- A major illness is one that keeps you from work when the kids are out of school.



THE FEEDBAG

THE MONTHLY NEWSLETTER OF THE WISCONSIN EARLY MUSTANGERS

PLEASE PATRONIZE OUR ADVERTISERS

CLUB OFFICERS

President Scott Moen (414) 567-2622
 Vice President Doug Dorn (414) 763-8343
 Secretary Mary Jo Miller (414) 282-7049
 Treasurer Sharon Doria (414) 761-2267

BOARD MEMBERS


Chairman Dick Doria (414) 761-2267
 Show Sal Lortno (414) 769-0700
 Activities coordinator Fritz Dove (414) 268-0147
 Newsletter Bob Zimmermann (414) 761-2007
 Technical Lisa Housey (414) 255-1049

CLUB ACCESSORIES

Caps (Black, Blue, Red, Green and Yellow).....\$ 5.00
 Shirts - Golf style with club logo (S,M, L & XL).....\$ 12.00
 Window Decals.....\$ 1.00 Stickers.....\$ 2 or 3 for \$ 5
 Genuine Brass Buckles with W.E.M. Inlay.....\$ 18.00

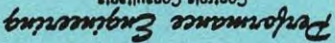
Send Check or Money Order to: **THE WISCONSIN EARLY MUSTANGERS**
 2511 W. Carrington Avenue
 Oak Creek, Wisconsin 53154

Apple Lane Home Improvement Co.
 Aluminum, Vinyl & Steel Siding
 Soffit, Fascia & Window Trim
 Aluminum Seamless Gutters
 Replacement Doors & Windows
 Roofing



John Kozinski
 781-3655

R. A. "DICK" DORIA
 Controls Consultant
 Performance Engineering
 Controls Consultants
 Project Expeditors
 Food & Beverage / Process & Packaging



2511 W. Carrington Ave.
 Oak Creek, WI 53154
 (414) 761-2267

Ed Witt's
VENUS **FORD**
 2727 East Layton Ave.
 Cudahy, WI 53110
 (1/2 Mile East of the
 Airport on Layton Ave.)
 MIKE CIEZKI
 New & Used Car & Truck
 Sales & Leasing
 (414) 481-8500

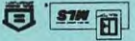


Wisconsin's Only 5 Time
 Chairman's Award
 FORD Retailer For
 Customer Satisfaction

761-2267

DICK DORIA
performance
engineering
SPECIALIZING IN
PRODUCTS

2511 W CARRINGTON AVE
OAK CREEK, WISC 53154



5522 South 108th Street
Hales Corners, Wisconsin 53130
Office (414) 529-1101
Residence (414) 421-1899
Fax: (414) 529-9510
Voice Mail: (414) 529-6480 x 101



RE/MAX
Realty 100
Milton H. Erdman
EPA Office Independently Owned and Operated

ART RAY
OWNER
1301 S WEST AVE
WAUKESHA, WISCONSIN 53186
Phone 542-3183
Service
MUFFLERS & PIPES, INC.
• Custom Bending Service • Shock Absorbers

PAT EVANS
GENERAL MANAGER
7905 W. LINCOLN AVE.
MILWAUKEE, WIS. 53219
PHONE 321 - 6260
Milwaukee Engine & Machine Inc.

PETE YOSS, PROPRIETOR
HIGH QUALITY BODY & PAINT WORK
ALSO SPECIALIZING IN MUSTANG RESTORATION
5057 S WHITNAL AVE
CUDAHY WI 53110
PETE'S AUTO BODY
THE MUSTANG SHOP
(414) 481-1155



MARK LIEN
PRESIDENT
3591 KETTLE COURT EAST
DELAFIELD
WISCONSIN 53018
414 • 646 • 6460
414 • 646 • 6461 FAX



An Independently Owned and Operated Member of The Prudential Real Estate Affiliates, Inc.
1507 E. Sunset Drive
Waukesha, WI 53186
Bus. (414) 544-8560
Voice Mail (414) 797-7600 ext. 2240
Fax (414) 549-0708
Res. (414) 968-9015
The Prudential Preferred Properties

RON LUEPKE
REALTOR

4325 S. HOWELL AVE. **DIAL 744-1907**
WHOLESALE & RETAIL
INSURANCE CLAIMS - FREE ESTIMATES
SIMULATED VINYL & CONVERTIBLE TOP SPECIALISTS - BUMPOFFS
AUTOMOTIVE CARPETING - INSTALLED ON DO-IT-YOURSELF KIT
COMPLETE AUTO UPHOLSTERY SERVICE
CLASSIC AUTO TRIM
"SINCE 1945"
CO., INC.
& AUTO GLASS
SEAT COVER

Factory Service Without Dealership Hassles!!!
SERVICE, INC.
LISA HOUSEY
(414) 255-1049
BLUE OVAL

**THE WISCONSIN EARLY
MUSTANGERS**
2511 WEST CARRINGTON AVENUE
OAK CREEK, WISCONSIN 53154



FIRST CLASS MAIL

RICHARD DORIA 1
2511 W CARRINGTON AVE
OAK CREEK WI 53154