

# The Feed Bag.... what happened and what's happening



# March 2021

"A Few to Preserve the Best"  
Preservation - Restoration - Enjoyment - Dedication - Education

Hello Mustangers!

February was brutally cold! Man! Spring could not come fast enough. But! The last week has shined some light on us with sun and warm temperatures! Glad to see the snow piles melting. That means opening up the garage to prep our Mustangs for warmer cruising weather. I can see the light at the end of the tunnel!

We have our **Ice Breaker Brunch Run** scheduled again for this year. It is planned for **Sunday, May 2<sup>nd</sup>**. This is always a fun ride and great gathering with our members. Check out the flier posted in the newsletter or on our website for further details. Our highly dedicated cruise trailblazer Roger Nickolaus will be guiding the cruise to another magnificent brunch in the beautiful Holy Hill area. This is a good time to catch up with other Mustangers on the latest news.

Things are on track for our **WEM All Ford Show** on **Sunday, May 23<sup>rd</sup>, 2021**. We have always had a great show with quite a diversity in Ford vehicles. We can use your assistance in a number of roles available in running our show. Go to [SignUpGenius](#) on the internet to sign up or call Don Schultz, 414-331-4946, and he will be glad to help you find a spot on our great show team.

For our show this year, Hagerty Collector Car Insurance has offered their Youth Judging program to allow up to 15 kids from ages 7-14 to participate. Since the creation of this program almost 10 years ago, Hagerty has had hundreds of kids pass through the program! Each participant gets a t-shirt, hat, lanyard, (theirs to keep) and they provide the judging pads and pens. The goal is to provide an environment for the kids to get up close and personal to the cars when they might otherwise not have the opportunity. Hagerty lets the owner's know what time the "judges" be at their car so they can tell the kids their story on ownership, history, etc. The kids normally choose the car with the coolest story, not the "flashiest" vehicle. This will be a good time!

See you on the road!

*Glenn*



## March Calendar Events: WEM Events In Red

- > Monday 1st National Peanut Butter Lover's Day
- > Wednesday 17th St Patrick's Day
- > ----- Annual Club Dinner Postponed Until Fall -----
- > Monday 29th Club Meeting Joe's "K" Ranch 4840 S. Whitnall Ave. Cudahy WI 7:00 pm ([Map](#))

**REMINDER:** If MPS Schools are canceled due to weather, WEM events are also canceled. Be sure to visit our web site [www.wemustangers.com](http://www.wemustangers.com), for pictures of recent events. Also, check out Wisconsin Early Mustangers Facebook page. [WEM Facebook](#)

# WEM 2021 Events Calendar

<b>April</b>	4	Sun	Easter	
	9-11	Fri-Sun	World Of Wheels WI State Fair Park <b>(Canceled)</b>	
	23-25	Fri-Sun	Spring Jefferson	
	<b>26</b>	<b>Mon</b>	<b>Club Meeting - Joe's "K" Ranch 4840 S. Whitnall Ave. Cudahy</b>	<b>7:00pm</b>
<b>May</b>	<b>2</b>	<b>Sun</b>	<b>WEM Ice Breaker Brunch Run. Fox &amp; Hounds (Hubertus)</b>	<b>10:00am</b>
	5-9	Wed-Sun	Greater Milwaukee Auto Show State WI Fair Park. (Expo Center)	
	9	Sun	Mothers Day	
	<b>22</b>	<b>Sat</b>	<b>Car Show Set -Up &amp; Car Moving</b>	<b>TBD</b>
	<b>23</b>	<b>Sun</b>	<b>WEM All Ford Show - Ewald's Venus Ford Cudahy</b>	<b>TBD</b>
	<b>24</b>	<b>Mon</b>	<b>Help move cars from car show</b>	<b>TBD</b>
	<b>31</b>	<b>Mon</b>	<b>No Club Meeting</b>	
<b>June</b>	<b>TBD</b>	<b>Sat</b>	<b>Kitty's Run ??????</b>	
	20	Sun	Fathers Day	
	20	Sun	Fox Valley Ford Show	
	20	Sun	Borchardt Car Show. ??????	
	<b>28</b>	<b>Mon</b>	<b>Club Meeting - Joe's "K" Ranch 4840 S. Whitnall Ave. Cudahy</b>	<b>7:00pm</b>
<b>July</b>	4	Sun	Holz Motors Classic Car Show	
	8-10	Thur-Sat	Iola Old Car Show and Swap Meet	
	11	Sun	Cars Time Forgot Show-Delavan	
	18	Sun	Soren's All Ford Car Show	
	25	Sun	Joe's "K" Ranch Car Show. 4840 S. Whitnall Ave. Cudahy	
	<b>26</b>	<b>Mon</b>	<b>Club Meeting - Joe's "K" Ranch 4840 S. Whitnall Ave. Cudahy</b>	<b>7:00pm</b>
	31	Sat	Sumer Elkhorn Show And Swap Meet	
<b>August</b>	1	Sun	Sumer Elkhorn Show And Swap Meet	
	29	Sun	Tichigan Lake lions Car Show	
	<b>30</b>	<b>Mon</b>	<b>Club Meeting - Joe's "K" Ranch 4840 S. Whitnall Ave. Cudahy</b>	<b>7:00pm</b>
<b>September</b>	4	Sat	Kenosha Classic Cruise-In	
	6	Mon	Oak Creek Lions Fest & Car Show	
	<b>11</b>	<b>Sat</b>	<b>Annual Club Picnic</b>	
	24-26	Fri-Sun	Fall Jefferson	
	<b>27</b>	<b>Mon</b>	<b>Club Meeting - Joe's "K" Ranch 4840 S. Whitnall Ave. Cudahy</b>	<b>7:00pm</b>
<b>October</b>	<b>1-3</b>	<b>Fri-Sun</b>	<b>Dick Doria - Door County Color Cruise</b>	
	<b>25</b>	<b>Mon</b>	<b>Club Meeting - Joe's "K" Ranch 4840 S. Whitnall Ave. Cudahy</b>	<b>7:00pm</b>
	31	Sun	Halloween	
<b>November</b>	2-5	Tue-Fri	SEMA Las Vegas, NV	
	25	Thur	Thanksgiving Day	
	<b>29</b>	<b>Mon</b>	<b>Club Planning Meeting &amp; Pizza Party Joe's "K" Ranch</b>	<b>6:30pm</b>
<b>December</b>	<b>4</b>	<b>Sun</b>	<b>WEM Car Show Planning Meeting</b>	<b>TBD</b>
	25	Sat	Christmas Day	
	<b>28</b>	<b>Mon</b>	<b>No Club Meeting</b>	

As events are added or modified this calendar will change. Be sure to check for monthly updates.

What is heard is not always what was said.



# Wisconsin Early Mustangers

## Annual Brunch Run

Sunday, May 2, 2021

### ICE BREAKER

*Time to get your pony on the road again. Enjoy a scenic drive through the rolling hills of northern Kettle Moraine followed by a fabulous Brunch with old and new friends at this landmark restaurant.*



1298 Friess Lake Road Hubertus, WI

(262) 628-1111

[www.foxandhoundsrestaurant.com](http://www.foxandhoundsrestaurant.com)



### Meeting/Driving Instructions:

Leave the South 27th Waterstone Bank at 8:00 AM to meet up with the rest of the group at the I-94 & Highway 83 McDonalds by about 8:45. Around 9:15 we will drive as a group to the Fox & Hounds for our 10:00am reservation with some culinary delights in the country.

Call Jack Winter at (262) 786-0484 with any questions.

Please send reservations & checks payable to:

Wisconsin Early Mustangers c/ o Jack Winter  
16760 Hearthside Dr. New Berlin, WI 53151

**Registration and payment must be received BEFORE APRIL 27th**

( Please cut along the dashed line and return only the registration form below with you check or money order )



Name \_\_\_\_\_ Phone: \_\_\_\_\_

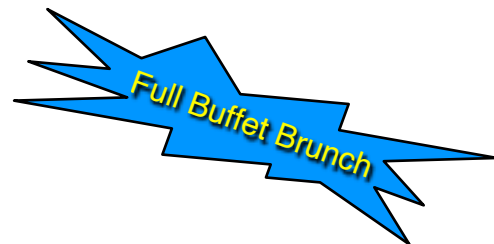
Number of Seniors (62 & older): \_\_\_\_\_ @ \$23.00 ea. = \_\_\_\_\_

Number of Adults : \_\_\_\_\_ @ \$25.00 ea. = \_\_\_\_\_

Number of children 7-11 : \_\_\_\_\_ @ \$16.00 ea. = \_\_\_\_\_

Number of children 6 & under : \_\_\_\_\_ FREE

TOTAL = \_\$ \_\_\_\_\_



Price includes one drink: Coffee, milk, juice, or soda (free coffee refills)

# Wisconsin Early



# Mustangers 38th Annual



# A L L F O R D S H O W



**FUN! FOOD! MUSIC! PRIZES!**

**Sunday, May 23, 2021**

8 AM – 3 PM (rain or shine)

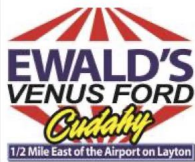
Show Information: 414-764-6726

Show Location:

**EWALD'S VENUS FORD**

2727 E. LAYTON AVENUE

CUDAHY, WI



Our Car Show is Hosted and Sponsored by:

**EWALD'S VENUS**

**FORD**

2727 E. Layton Ave.

Cudahy, WI

SHOW INFORMATION:



Show Vehicles will be "Classed upon entry"

Gate Registration Opens at 7:00 AM

Registration closes at 11:30 AM

Vehicles with **THREE OR MORE MODIFICATIONS** from "STOCK" are considered "MODIFIED"

Day of Show Registration: \$10.00

Dash plaques are given for all show vehicles. Show parking is determined by car classification. Award winners are chosen by participant voting with 1st, 2nd & 3rd Place awards in 17 classes, People's Choice Award, and the Dealer's Choice Award are all presented at 3 PM. Award recipients must be present to receive an award.

The Wisconsin Early Mustangers is an affiliate of the Mustang Club of America, but this is **NOT** an MCA judged show

**Outdoor Swap Space Application**

Name: \_\_\_\_\_

Address: \_\_\_\_\_

City: \_\_\_\_\_ State: \_\_\_\_\_ ZIP: \_\_\_\_\_

Phone: (\_\_\_\_\_) - \_\_\_\_\_

\_\_\_\_\_ 9' X 20' Outdoor Swap Space @ \$20 ea. —Day of show.

\_\_\_\_\_ 10' X 12' Outdoor Swap Space @ \$15 ea. —Day of show.

Contact: Tom Miller 414-764-6726

**Send Swap Space Application to:**

Wisconsin Early Mustangers

420 East Fitzsimmons Road

Oak Creek, WI 53154-5134

**Note: Vendors may set up outside as early as 6:30 day of show**

**2021 SHOW CLASSES**

A	1965—1973	Mustang Coupe, Convertible, Fastback
B	1974—1993	Mustang Coupe, Convertible, Fastback
C	1994—2004	Mustang Coupe, Convertible
D	2005—2014	Mustang Coupe, Convertible
E	2015—Present	Mustang Coupe, Convertible
F	1965—1973	Mustang High Performance—Shelby, Boss, Mach 1
G	1993—Present	Mustang High Performance—Shelby, Roush, Boss, Cobra, SVT, Saleen, Bullitt, Mach 1
H	1965—1993	Mustang Modified
I	1994—Present	Mustang Modified
J	All Years	Thunderbird
K	1903—1959	Ford, Lincoln, Mercury
L	1960—1994	Full Sized Ford, Lincoln, Mercury
M	1960—1994	Mid Sized Ford, Lincoln, Mercury
N	1995—Present	Ford, Lincoln, Mercury
O	All Years	Modified Ford, Lincoln, Mercury
P	All Years	Ford Truck, Van, SUV
Q	All Years	Special Interest—Ford GT

Participant door prizes are announced throughout the day. Entertainment runs all day long.

.....a fun day spent enjoying the show cars, swap meet, door prizes, music, socializing, food, trophies, etc. at the largest "All Ford" Car Show

For show information

Don at 414-331-4946

Email Don@DJSchultz.net

Our website: www.wemustangers.com/

FaceBook: Wisconsin Early Mustangers

**We look forward to Seeing you at the show!**



All participants accept and assume full liability for any loss to property at any time and cause on the premises of the show. All participants also release the management from any liability for any such loss or injury and agree to provide and pay for their own insurance.

# Volunteers Needed



It takes a lot of dedicated people willing to put in some time and effort to run an event like this.

Aside from the satisfaction of helping with the show, volunteers also get to attend the "Annual Club Dinner" for free the following year.

# 2021 WEM All Ford Car Show

Show Set Up, Saturday May, 22

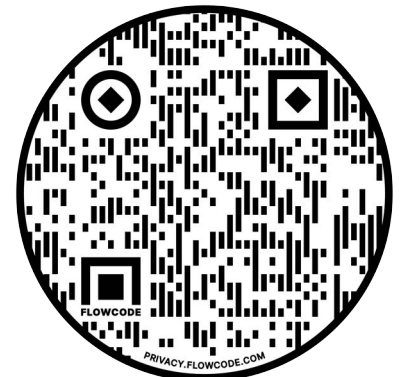
Show Day Sunday May, 23

Return Ewald, Cars Monday May, 24

To view without commitment all car show positions needed, click on this link: [Sign Up Genius](#) or scan the below QR code.

For other volunteer information contact:

**Don Schultz** 414-331-4946 [Don@DJSchultz.net](mailto:Don@DJSchultz.net)



# Blast From The Past

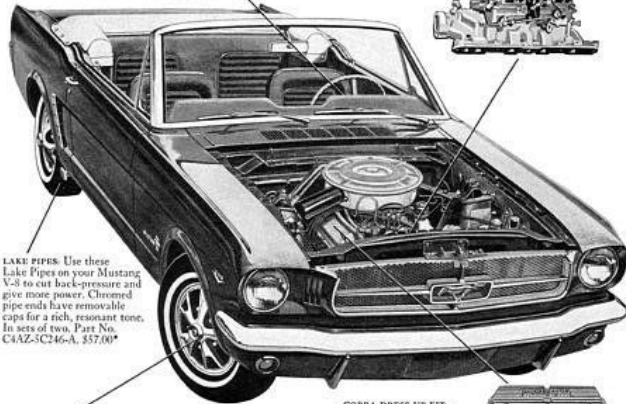
## Dress your Mustang from top to bottom with Ford Total Performance Kits

Whether you want to add some personal style touches to your Mustang or put more power under the hood, your Ford Dealer—"Your Total Performance Headquarters"—is the place to shop. The items shown here are just a sample of the accessories and performance kits he has for you.



**RALLY PAC:** A must for performance enthusiasts, this Rally Pac is a unique illuminated twin-pod cluster with a 6000-rpm tach and precision clock. Has hooded cover with "camera case" finish. Mounts on steering column. Part No. C5ZZ-10B960-C, \$75.95\*

**COBRA TWO 4V INDUCTION KIT:** Here's a great way to boost horsepower for hot performance. Kit includes two 4-barrel carburetors on a cast-aluminum intake manifold, special air cleaners, hardware. Easy to install on all Mustang V-8 blocks. Part No. C40Z-6B068-E, \$243.00\*



**LAKE PIPES:** Use these Lake Pipes on your Mustang V-8 to cut back-pressure and give more power. Chromed pipe ends have removable caps for a rich, resonant tone. In sets of two. Part No. C4AZ-3C246-A, \$57.00\*

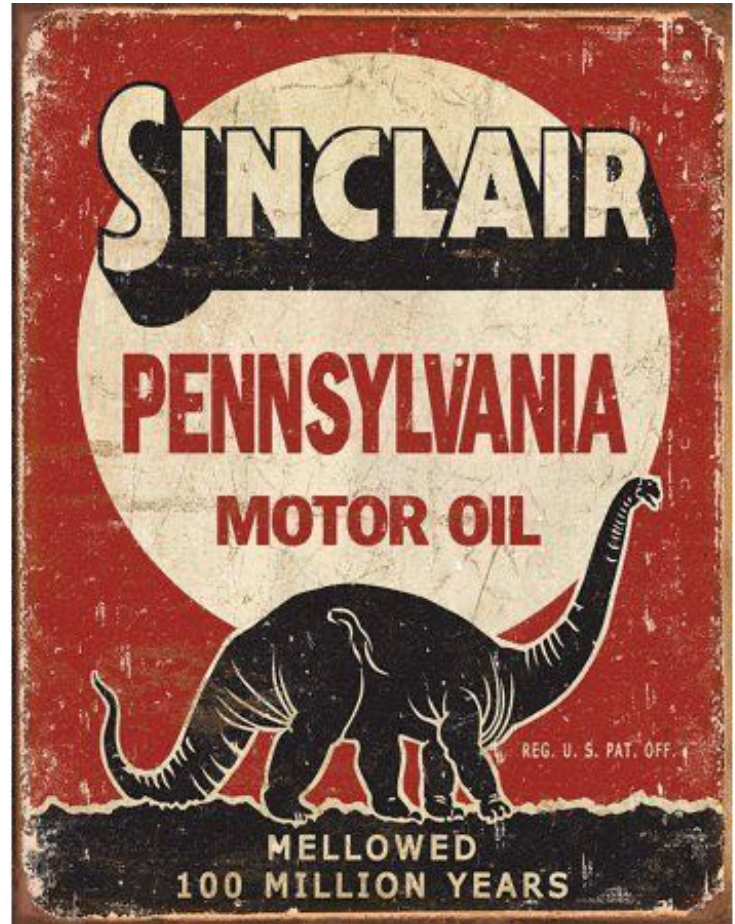
**STYLED STEEL WHEELS:** Add a distinctive touch of elegance to your car with this beautifully designed and chromed accessory. Quality engineered for precision fit... easy to install. Wheel with cap and lugs—\$44.50\*

**COBRA DRESS-UP KIT:** Adds exciting "Cobra" look to your engine. Includes finned, polished aluminum valve covers; dipstick, radiator cap, master cylinder cap, oil filler cap, air cleaner cover and filter—all in gleaming chrome. Part No. C40Z-6980-A, \$82.85\*



\*Manufacturer's suggested retail price. Installation charges and state and local taxes, if any, are extra.

See your Ford Dealer—"Total Performance Headquarters"



## Don't get caught dead!



## Maintain Your Car or Truck Battery in Storage

The most important consideration when storing any battery is to make sure the voltage never drops below 12.4 volts. Following these simple tips on battery maintenance can help extend the life of your battery. If you are storing the battery for an extended period of time, one of the best ways to prevent damage is to make sure the voltage never drops below 12.4 volts. We recommend using a type of "battery maintainer" a device that will monitor your battery and keep it at full potential during storage. There are two types of maintenance chargers:

- 1 Traditional "float" chargers, which provide constant voltage with tapering amperage to the battery even when it is fully charged. The typical floating charging voltage ranges from 13.0 to 13.8 volts.
- 2 Fully automatic multistage or multistep chargers, which monitor the battery and charge it as necessary. Multistage maintainers will charge at varying voltages and varying amperage. Some of these multistep chargers are also capable of working well as battery chargers.

If it is not possible to use a maintenance charger, disconnect the battery from the vehicle during storage to prevent the vehicle from discharging the battery. Always provide a full charge with a battery charger prior to storage, then check the battery voltage every three to six months and charge if it falls below 12.4 volts. Also, when possible, store your battery in a cool, dry location.

Get Your car fix at home

*Barrett-Jackson*



SCOTTSDALE  
ARIZONA

March 20-27



**MECUM**<sup>TM</sup>  
*m*  
**A U C T I O N S**

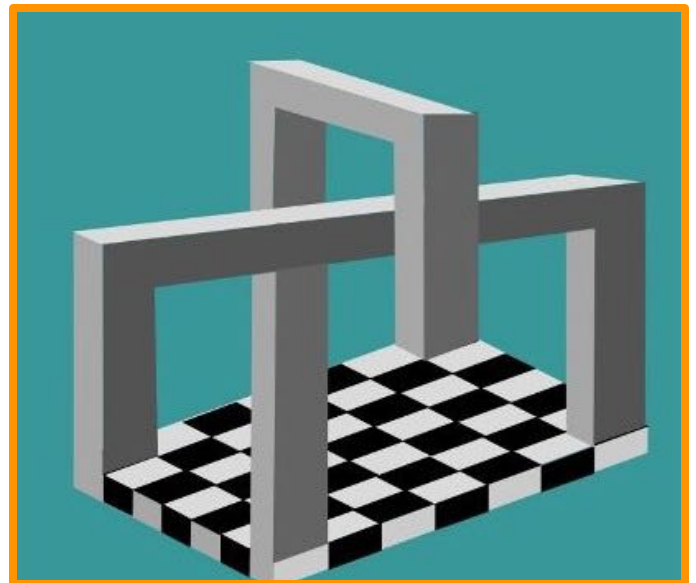
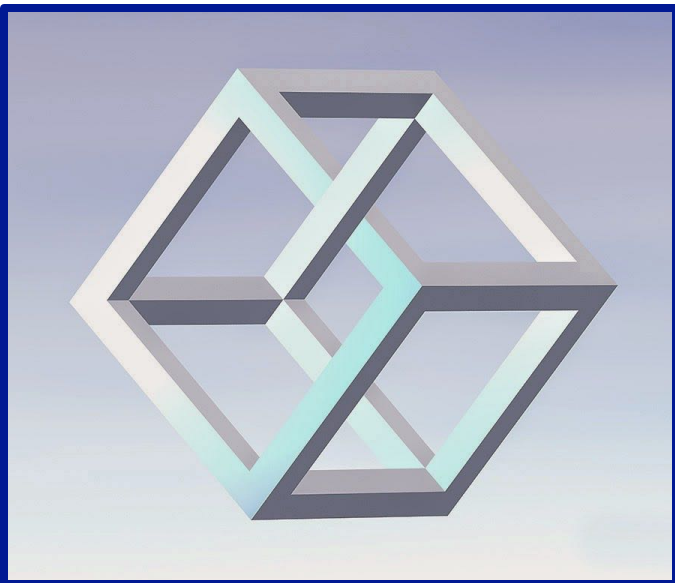
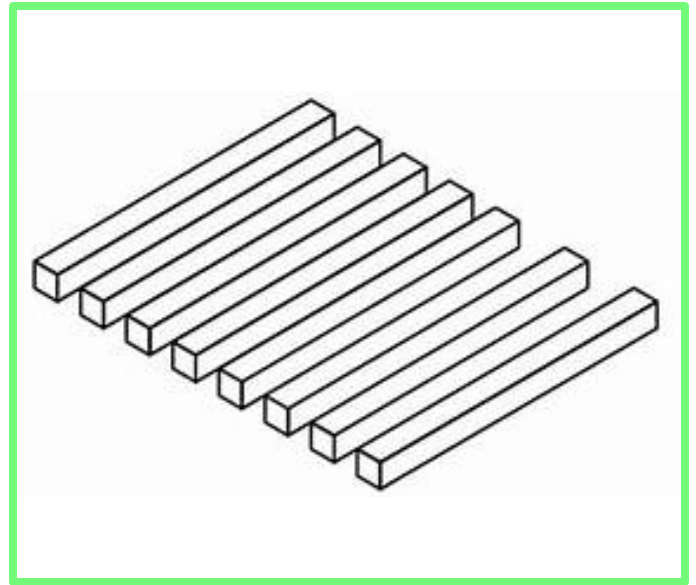
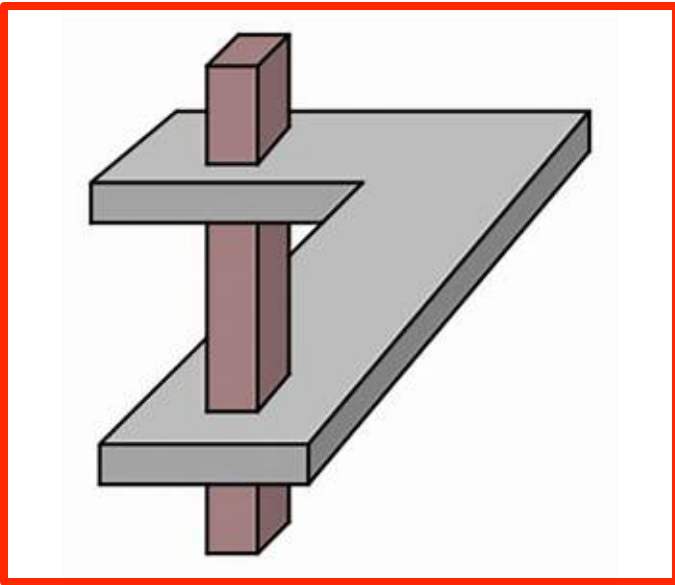
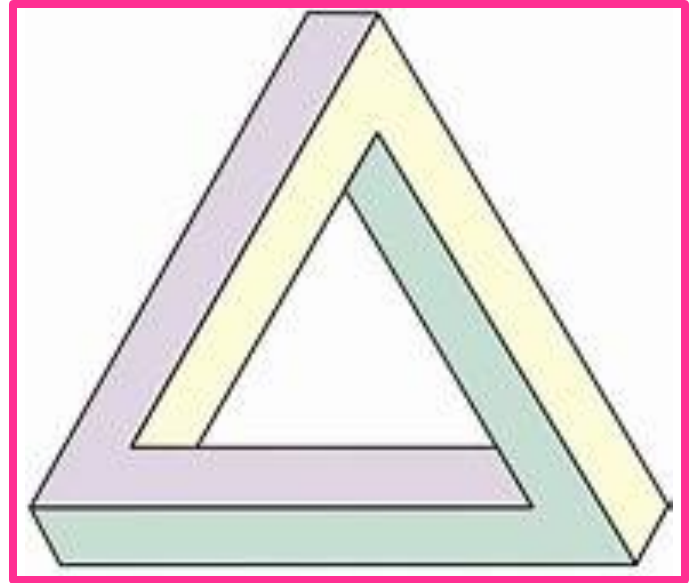
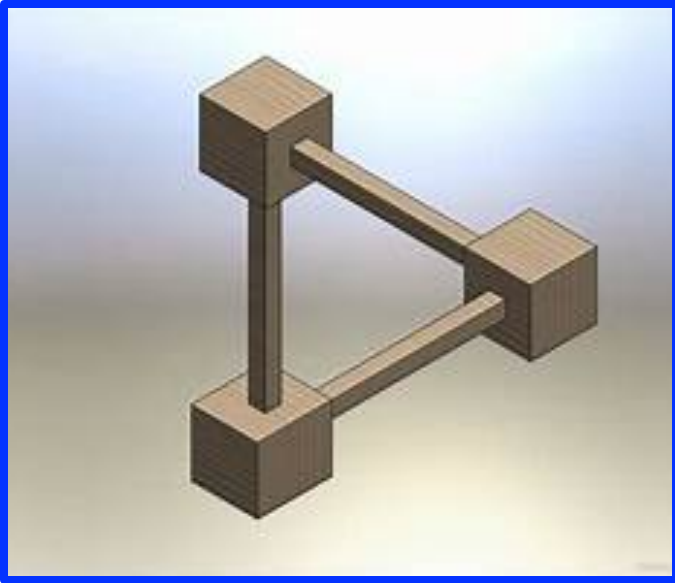
**GLENDALE**  
ARIZONA



MARCH 18-20  
1,200 VEHICLES



# Things to make you crazy





# Classified Ads

Car related ads should be a maximum of four lines.  
Ads are free to WEM members, include pictures when possible.  
To place an ad contact Newsletter Editor: John Surges  
at a meeting or send to [jsurges@sbcglobal.net](mailto:jsurges@sbcglobal.net)  
Please email or call to remove ads after they are sold.

**DDPlus oil additive** --- adds Zinc Phosphate back into the oil for pre-roller lifter engines. By buying in bulk, we save WEM members a few dollars. The 4oz. ZDDPlus bottles are \$10 each, three for \$25, and four or more are only \$7.50 each.

Contact Mike Quam (414) 491-3191 or email [sonic05gt@yahoo.com](mailto:sonic05gt@yahoo.com)

**FREE:** Mustang Monthly Magazines – Issues 9/89 to 1/20, missing four issues.

Contact: Jack Winter 262-786-0484 1/1/21

**For Sale:** 2003 Mustang convertible. Six Cylinder, Gray color with leather interior. New in 2020 battery, exhaust and tires. A/C may need charge? Asking \$5,000.

Contact Rita Grasse (262) 364-6053 or email [ritathemom@frontier.com](mailto:ritathemom@frontier.com) 2/1/21

**For Sale or Swap:** New member to the club has been in the Mustang Restoration and Parts business for many years under the name Fordman Restoration & Auto located in La Valle, WI. If you have any need for early Mustang engines or parts. Contact: Ted "Fordman" Ehrhardt 608-985-7360 or [fordmanted@aol.com](mailto:fordmanted@aol.com) Also see his E-bay store at "fordmanted2b2b" 3/1/21

**For Sale:** Mustang NOS small parts mostly from 69-73, can email list of parts if interested.

Contact: Jerry Graff 715-505-3101 or email [bennygraff@yahoo.com](mailto:bennygraff@yahoo.com) 3/1/21

**LEFTOVER  
PARTS  
ARE PROOF  
YOU MADE IT  
EVEN BETTER!**

**WARNING**

**RETIRED**

**KNOWS EVERYTHING  
AND HAS PLENTY OF  
TIME TO TELL YOU  
ABOUT IT**

## Automotive Trivia

(Answers on next page)

2. What famous auto maker is responsible for designing the Volkswagen Beetle?

- A. Bavarian Motor Works
- B. Walter P. Chrysler
- C. Henry Ford
- D. Ferdinand Porsche





# American Muscle

[www.americanmuscle.com](http://www.americanmuscle.com)

## Ewald's Venus Ford

Cudahy

Kurt Venus

Senior Sales Manager

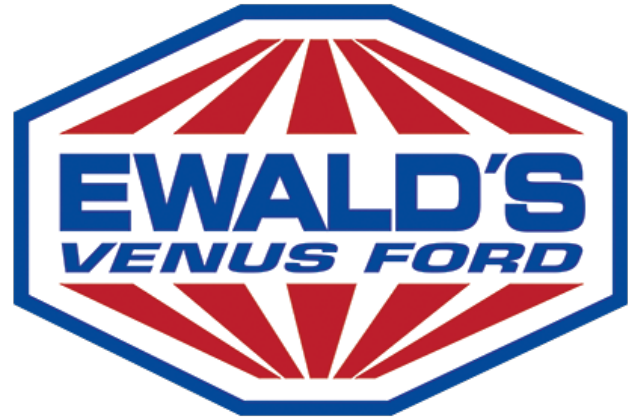
Phone: 414-481-8500

[kvenus@ewaldauto.com](mailto:kvenus@ewaldauto.com)

2727 E. Layton Ave.

Cudahy, WI 53110

[www.ewaldauto.com](http://www.ewaldauto.com)



wisnet.com

High Horsepower Websites

920-921-8391

[www.wisnet.com](http://www.wisnet.com)

### ----- CF Sports Aero -----

Performance - Wrap - Detail

Chris Lawson

S83 W18390 Saturn Dr. Muskego, WI 53150

262-682-4875 (Cell) 414-745-7249

[cfsportsaero@gmail.com](mailto:cfsportsaero@gmail.com)

## Statewide Insurance Group

Doug Bowring Agency

Phone: 414-771-7080

Fax: 414-771-1335

11430 W Bluemound Rd. Suite 300

Wauwatosa, WI 53226

Business-Personal-Auto & Home-Life & Health



**FREE CLASSIC CAR  
INSURANCE QUOTES**

Scott Spoerl Agency  
FARMERS INSURANCE 920-605-6074  
[www.farmersagent.com/sspoerl/](http://www.farmersagent.com/sspoerl/)

**OFFERING  
HAGERTY  
CLASSIC CAR INSURANCE**

Proud Sponsor  
of the  
Wisconsin Early Mustangs

## Franklin Overhead Door

Jake Fellen, Owner

414-529-9709 Franklin, WI 53132

Your Garage Door Specialist

Repair-Replacement Of Doors & Openers

Residential- Commercial



4840 S. Whitnall Ave. Cudahy

## Please Patronize Our Advertisers

To place an ad, contact our club treasurer

Wisconsin Early Mustangs - [www.wemustangers.com](http://www.wemustangers.com)

Follow Wisconsin Early Mustangs On FaceBook

Mustang Club Of America - [www.mustang.org](http://www.mustang.org)

### Wisconsin Early Mustangs - Officers

President:	Glenn Furst	262-594-2275	<a href="mailto:glenn1st@centurytel.net">glenn1st@centurytel.net</a>
Vice President:	Dave Hartley	262-681-7854	<a href="mailto:dnhartley@gmail.com">dnhartley@gmail.com</a>
Treasurer:	Jack Winter	262-786-0484	<a href="mailto:jawinter@wi.rr.com">jawinter@wi.rr.com</a>
Secretary:	John Surges	414-217-7582	<a href="mailto:jsurges@sbcglobal.net">jsurges@sbcglobal.net</a>


### Board Members

Chairman:	Tom Miller	414-764-6726	<a href="mailto:oakmill66@att.net">oakmill66@att.net</a>
Newsletter Editor:	John Surges	414-217-7582	<a href="mailto:jsurges@sbcglobal.net">jsurges@sbcglobal.net</a>
Show Coordinator:	Don Schultz	414-331-4946	<a href="mailto:Don@DJSchultz.net">Don@DJSchultz.net</a>
Ford/MCA/Liaison:	Scott Moen	262-567-2622	<a href="mailto:anvpny@sbcglobal.net">anvpny@sbcglobal.net</a>
Communications Coordinator:	John Falkner	414-630-7822	<a href="mailto:jfalkner71@gmail.com">jfalkner71@gmail.com</a>

Trivia Answer D. Ferdinand Porsche In 1938

John Surges (WEM Newsletter)  
4601 Sterling Ct.  
Greendale, WI 53129



**Don't Hesitate  Vaccinate**