



The Wisconsin Early Mustangs

"A FEW TO PRESERVE THE BEST"

THE FEEDBAG FEB. 1988

From the Pres.

One of the first orders of business for the new year is to go to a pro-rate for the membership renewals. This will greatly simplify the cash flow of the club and simplify the bookkeeping involved with membership activities. To explain what is happening we'll use the following example. Pretend your dues are up in March of 1988. You will receive a renewal form that says you owe \$12.50. That works out to \$1.25/month for the rest of this year. Next year in January everyone will come due at the same time. For those of you that are due in the last months of the year, we will be billing you for 1989 plus the remainder of 1988. Therefore a September 1988 renewal will be billed \$5.00 for 1988 plus \$15.00 for 1989. He will not receive another billing until January of 1990. Thank you for your help in this matter. New memberships will be prorated accordingly to keep them in step with the rest of us.

A moderate but spirited turn out at our annual club dinner made for a very good time. The food and drinks were excellent plus the room they gave us was very nice. Thanks again "Tom Tom", for a job well done.

Once the warm weather is with us, I would like to set up an ignition and general electrical seminar on some Saturday morning. It would be presented at a grass roots level, but still cover most of the troubles that you like to get into. If you are interested call our home (414) 761-2267 and get your name on the list. If there is enough interest I'll set up a date and time, then call you back. Remember, it's hard to catch me so just leave your name and number with the reason you called.

Just received five more of the machines from Italy so I've been pretty busy. In fact Shar came down to Chicago to see me this weekend. I think that my time at the NBI Franklin Park plant should end near mid-year. Then, who knows! I could almost use a little breather before the next fiasco.

Spring will be with us in no time. Those horses are itching to get out of the barn. Can't wait to get my hands on the old black convert. and roll with you again. In the meantime keep warm. And of course, "keep on 'stangin'".

2511 W. Carrington Ave. • Oak Creek, Wisconsin 53154 • (414) 761-2267

From Your Editor



Well Mustangers the new season is just about to begin. Last week was packed full of events for our club. Although there were no cars involved a good time was had by all that attended our annual club banquet. A special thanks to Tom Buttram for putting on a fine affair for our club. The food was great and the company was exceptional. The following day it was off to MECCA for swap meet. It was time again to meet up with our car buff friends from other clubs and start buzzing once again about the old iron we hold so dear to our hearts. There is something addictive about these swap meets that keep you coming back each year. I for one feel it a loss if I don't leave the building with some rusty "whatzit" tucked under my arm. I generally find myself storing these items in the garage and spend the better part of a day looking for it when I need it. As for our club events, we are planning for a very active 1988 season. I am looking forward once again to our annual bowling tournament which takes place Feb. 21. Our first car outing of the year will take place on May 1st. This will be our annual Sunday brunch run. Dick Coyle is once again at the helm of this event. Our club show follows in May. Make sure you get your hands on some of our fliers to distribute. It is possible that we may make the Dearborn run again this year. Our club will participate in the car show and poker run this year at Lake Geneva. This is being planned as a one nighter.

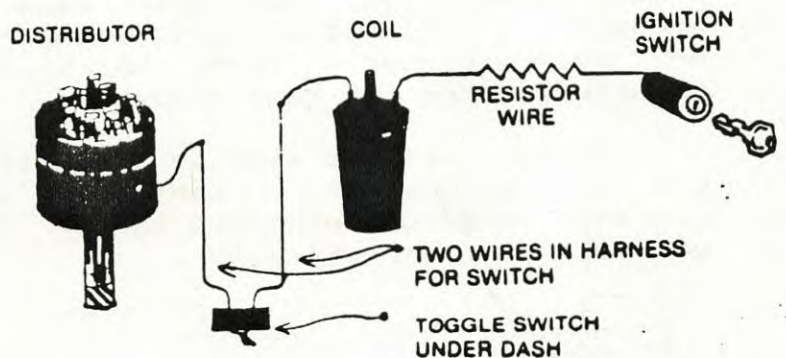
Until Next Month
Fraternally Yours
Bob Zimmermann

So gang what is needed now is your participation.

Helpful Hints - Helpful Hints - Helpful Hints

Kill Switch

Here's an anti-theft idea that won't affect the originality of your Mustang. The wire from the distributor side of the coil can easily be routed through another lead to a kill switch before it meets the distributor. Under the dash, or any other well hidden location, install either a key operated or simple toggle switch and route the distributor lead through this switch. When the switch is "open," it disables the ignition system, at least slowing a thief down who attempts to hot-wire your Mustang. If you perform the job neatly enough, no one will know, but you, that this system is there. Total cost is about \$5.



MINI MINUTES FROM MEETING HELD 1/25/88

- * The meeting was called to order by Pres. Doria at 7:35
- * The secretary and treasurers reports were given.
- Tom Buttram reported on the upcoming club dinner. 24 people signed up.
- * It was decided that individuals wanting club jackets could order them themselves. Details would be put in newsletter.
- * Bob Zimmermann reported on the progress of the bowling tournament. There will be one more chance to sign up in the newsletter.
- * Lisa Housey was elected picnic chairperson. This years picnic date 8/21/88.
- * Fliers are ready for our car show. Every member was asked to pick some up to distribute. Trinkets for the goodie bag are needed. Tyler Baker will provide the music for the show.
- * Our structure will be changed for dues collection. All renewals will be due each Jan. starting 1989. The dues this year will be prorated to compensate this change.
- * The date for our Ice Breaker Brunch will be 5/1/88. Dick Coyle is once again planning this affair.
- * It was suggested that we participate in the annual Poker Run in Fall held at Lake Geneva. Mary Jo & Bob Z. will check this out. A possible one night trip prior to our rally is being considered.
- * Tom Buttram won the door prize. A club shirt was given away.
- * The meetin was adjourned at 8:30

CLUB JACKET ORDERS

Anyone wishing to purchase a club jacket can order these on their own.
 To order a jacket contact RUMA TROPHY 1119 MAIN ST. UNION GROVE WI 53182.
 TELEPHONE: 414-878-1067. All orders must be prepaid..

CALENDAR OF CLUB EVENTS

- * FEBRUARY 21 W.E.M BOWLING TOURNAMENT. SEE INSTRUCTIONS IN NEWSLETTER...
- * FEBRUARY 29 MONTHLY MEETING.. PLEASE PLAN TO ATTEND THIS MEETING!!!!!!
- * MARCH 28 MONTHLY MEETING
- * APRIL 25 MONTHLY MEETING
- * MAY 1 ICE BREAKER BRUNCH RUN
- * MAY 22 THE WISCONSIN EARLY MUSTANGERS ANNUAL CAR SHOW.....

YOUR CLUB HAS A CALENDAR FOR 1988 THAT SHOULD BE OF INTEREST TO ALL OF
 OUR MEMBERS. IT TAKES A LOT OF WORK AND PLANNING TO PULL OFF A SUCCESSFUL
 ITINERARY THAT WILL PLEASE ALL. THE ONLY THING THAT IS MISSING RIGHT NOW
 IS YOU..... HELP MAKE 1988 A GOOD YEAR BY PARTICIPATING!!!!!!!!!!!!!!!!!!!!!!

Shop tips

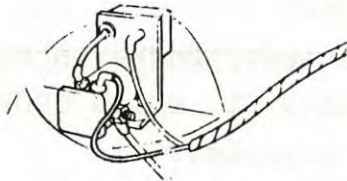
Reprinted from technical and service bulletins published by Ford Motor Company, Autolite division.

NEW STARTER SYSTEM "DELAYED RE-ENGAGEMENT" CONTROL RELAY

(All 1968 1/2 428 CID Engine Equipped Units)

All 1968 units equipped with a 428 CID engine and built after approximately April 15, 1968 have a special solid-state relay in the starter control circuit to prevent starter re-engagement for a 4 second period. This relay does not affect the circuit during the initial starting attempt, however, if the engine immediately stalls this relay prevents starter re-engagement for an approximate 4 second period. The starter drive and ring gear completely stop during this delay period to avoid gear tooth re-engagement of these components while in motion.

This re-engagement control relay is mounted under the basic starter relay on the fender inner panel of subject units and is in series with the starter relay ground circuit as shown in the electrical diagram. The relay uses solid-state components internally and cannot be repaired or adjusted.



CONTROL CONNECTED

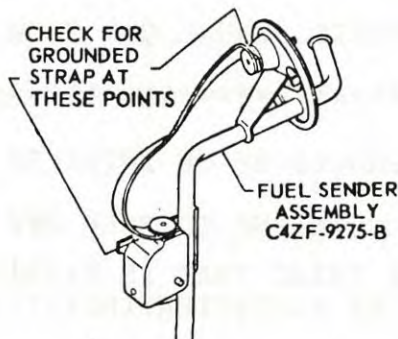
FUEL GAUGE READS FULL

(All 1965 Mustangs)

The connecting strap of the fuel sender is inadvertently grounded at the rheostat housing on some 1965 Mustangs. The strap, when grounded, results in the fuel gauge reading full at all times.

This problem was corrected February 1, 1965, by revising the connecting straps.

Complaints of fuel gauge reading full at all times can be satisfied by removing the fuel sender assembly and bending the strap to clear the housing.



PAINT PEELING OR FLAKING

(All 1965 Mustangs)

Some 1965 Mustang vehicles have exhibited poor paint adhesion, primarily on October and November built units. Several colors were found to contribute to this condition, but the greatest number of failures occurred with the "Ivy Green" paint.

Several paint process changes were made at the assembly plant to more effectively control the problem on units built after November.

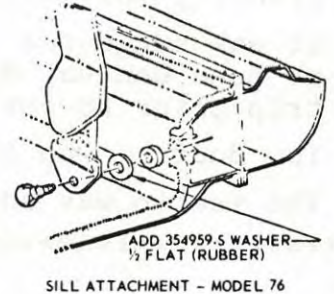
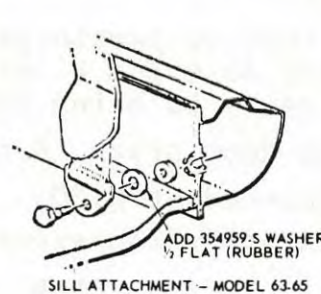
SEAT BELT HARDWARE RATTLES

(All 1965 Mustang)

Rattles may occur in the area of the outboard seat belt attachment to the floor side sill due to excessive looseness between the plate and the bolt shoulder.

This was corrected in production, effective January 18, 1965, with the addition of a flat rubber washer (1/2 inch I.D. - 9/64 thick) between the seat belt plate and the existing steel washer.

The rattles can be corrected on a complaint basis by installing a rubber washer as shown.



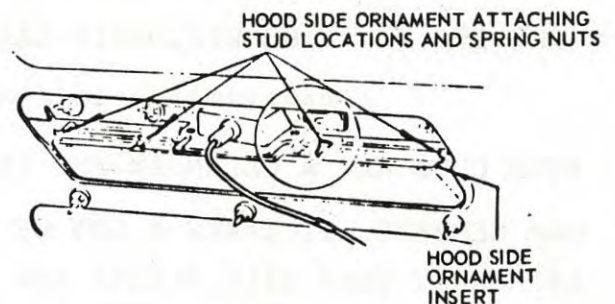
HOOD SIDE ORNAMENT INSERT RATTLES

(1967-1968 Mustang - All Models Equipped With Louvered Hood)

Customer complaints of rattles when the hood is slammed can occur due to inadequate retention of the insert in the hood side ornament (hood louver). This condition can occur on units built prior to November 1967, and was corrected in production by adding a rubber "O" ring between the insert and the ornament. However, this corrective action is not recommended for field repairs because attempts to remove the spring nuts usually result in breakage of the studs.

Complaint units can be corrected by using the following procedure:

- Procure an air dry adhesive.
- Apply a small amount of this adhesive to each stud location to assure adequate retention of the insert as shown.



W.E.M

Bowling

2nd Annual Gimmick Bowl

FUN Bring a Group

PRIZES

DATE: SUNDAY FEBRUARY 21 1988

TIME: 1:00 PM

PLACE : OAK CREEK CLASSIC LANES
7501 S. Howell Ave.
Oak Creek, Wi

LAST CHANCE TO ENTER.. ACT NOW

There are still a few openings left for the bowling tournament. If you act now you still may get a spot. Entries will be accepted until Feb. 14th. The list of prizes is growing. The main prize is a 13 inch color TV. The three game prizes will be a CB radio, a stereo radio and tape player, and a wet and dry shop vac. There will be an additional 8 or more prizes awarded valueing between \$10 to \$20 each. The house will award free bowling passes for those getting a strike when the stripped head pin appears. The house will also donate a trophy to the high scratch man and woman bowler. There will be a few other surprises.

For those of you that have already entered please arrive early so we can begin promptly at 1:00. Check in at the check in table upon arrival to receive your score sheet and instructions. We will meet in the hall after bowling to award the prizes.

For those not yet signed up do so now. Return the coupon printed below as soon as possible.....

W.E.M GIMMICK BOWLING TOURNAMENT

MAIN PRIZE

NAME : _____

13 inch color TV

NUMBER OF PEOPLE IN YOUR PARTY : _____

AMOUNT OF MONEY ENCLOSED : _____ (\$8.00 per bowler)

SEND TO : BOB ZIMMERMANN
2307 W. Carrington aye. 761-2007
Oak Creek Wisc. 53154

Take a Break

FAULTS AND FLUBS

B O A U S B K C A R C L I A F
 O L O S E R U S I B W R I A D
 T R O R R E I S U A U L U I R
 C I J W G A X I E L S L U R O
 H F L I P K J C U B T I E A P
 I E U S M I S C U E I P W R I
 E K A T S I M L W S U S E A U
 I E L B M U F I E U E G O O F
 R I O U P W O O B O B B L E I
 E U U V I F L W U E A I S I N
 P W T I R U L F I L W S L I P
 O V R E T I Y A I E I N E P T
 O E N M R I E L W M U F F I E
 L O X K W A G L S T U M B L E
 B O O B O O W R I E L B M U B

SIGNS OF THE TIMES

At a Plantation, Fla., clock shop: "Visit our display room. You should see the faces we make!"
Dolly Bliss

On the side of a fuel truck: "We try to fuel all the people all the time."
Ralph Floral

In a bicycle shop: "Pedlars welcome."
Don Linda

At a bookstore: "Our books are bound to please you."
Mrs. Francis Luplow

Outside a Chicago deli: "Try our wurst sandwich."
Tom McKievich

BLAB	FAIL	LOSE
BLOOPER	FALL	MISCUE
BONER	FAULT	MISS
BOO-BOO	FLAW	MISTAKE
BOTCH	FLIP	MUFF
BREAK	FLUB	SIN
BUMBLE	FOLLY	SLIP
CRACK	FOUL	SLUR
DROP	FUMBLE	SPILL
ERROR	GOOF	STUMBLE
EXCUSE	INEPT	TRIP

When the words defined below are correctly guessed, they will interlock perfectly and the square will read the same horizontally and vertically. **EXAMPLE:** 1. A feline animal; 2. A feminine name; 3. light brown.

- Free from danger
- Vinegar is this
- To put papers away in an orderly fashion
- The world's first garden

1	2	3	4
2			
3			
4			



The 16-year-old lad with a brand new driver's license continually bugged his dad for use of the family car. "Can I use the car to go down to the drugstore to get a magazine?" the lad asked one evening.

"You've got two feet," replied the father. "What are they for?"

"Well," replied the boy, "one's for the brake and one's for the accelerator."

Herm Albright.